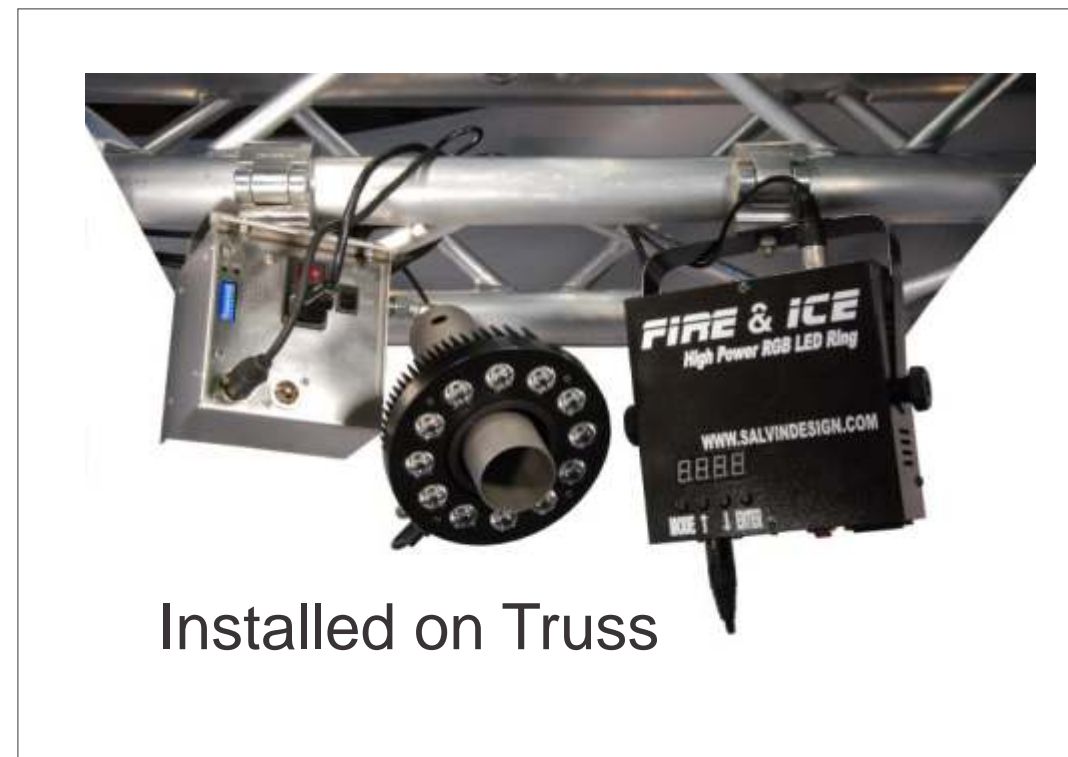
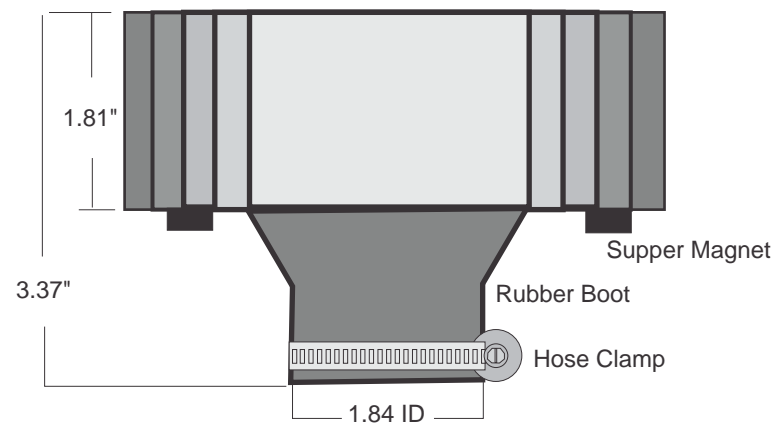
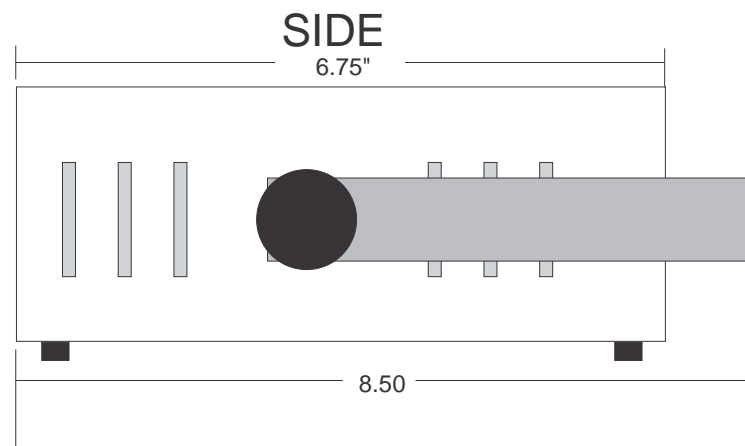
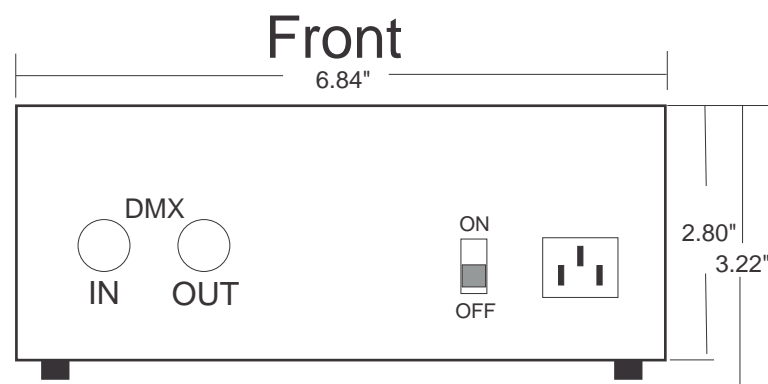


LED Ring



Installed on Truss

**SALVIN**

308-B Rt.29  
KINGSTON  
NEW YORK 12401  
845-340-0489  
845-334-9618 Fax  
www.salvin.biz

NO.	REVISIONS	DATE
1.	Not to Scale	
2.		
3.		
4.		
5.		

ALL IDEAS, DESIGNS, ARRANGEMENTS AND PLANS INDICATED OR REPRESENTED BY THIS DRAWING ARE OWNED BY AND THE PROPERTY OF THIS OFFICE AND WERE CREATED, EVOLVED AND DEVELOPED FOR USE ON AND IN CONNECTION WITH THE PROJECT OR PURPOSES SHOWN. NO PART OF THIS DRAWING OR ARRANGEMENTS SHALL BE USED FOR ANY OTHER PROJECT OR PURPOSE WITHOUT THE WRITTEN PERMISSION OF VINCENT CONIGLIARO.

HAND WRITTEN DIMENSIONS ON THESE DRAWINGS SHALL HAVE PRECEDENCE OVER ANY DIMENSIONS OR DIMENSIONS SHOWN HEREIN. ALL DIMENSIONS SHALL BE TO UNLESS OTHERWISE NOTIFIED OF ANY VARIATION FROM THE DIMENSIONS AND CONDITIONS SHOWN BY THESE DRAWINGS. SHOP DETAILS OF ADEQUATE SCALE MUST BE SUBMITTED TO THIS OFFICE FOR APPROVAL BEFORE PROCEEDING WITH FABRICATION ON ITEMS SHOWN.

DRAWING PHASE / USE

- PRELIMINARY DESIGN / CONCEPT
- SCHEMATIC DESIGN
- DESIGN DEVELOPMENT
- PROGRESS PRINT / INCOMPLETE NOT FOR CONSTRUCTION
- PERMIT
- CONSTRUCTION

Salvin Fire & Ice

Dimension  
Fire & Ice

RELEASE DATE:

DRAWN BY: Vincent Conigliaro

REVIEWED BY:

SEAL:

PROJECT #:

SHEET #:

OF

PRINT DATE:

7/12/2016